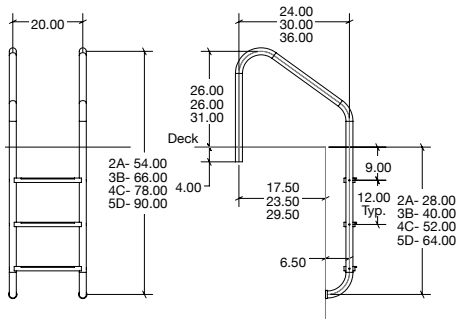


# Commercial Ladder



- Tubing: 1.90" OD
- Wall Thickness: .065"
- Stainless Steel: 304 or 316L Marine Grade\* (add – MG to part number)
- Treads: LTDF-103 Stainless Steel (Elite)
- Bends: 6" Radius
- Options: Powder-coating and SealedSteel Salt Friendly (rails only)
- Recommended anchors: AS-100B (order separately)
- Recommended escutcheon: EP-100F (order separately)

\* Minimum requirement for salt pools is 316L Marine Grade



Model No.	Description
LF-X*-2A	2-Step Ladder
LF-X*-3B	3-Step Ladder
LF-X*-4C	4-Step Ladder
LF-X*-5D	5-Step Ladder
LFB-X*-2A	2-Step Ladder with cross brace
LFB-X*-3B	3-Step Ladder with cross brace
LFB-X*-4C	4-Step Ladder with cross brace
LFB-X*-5D	5-Step Ladder with cross brace
LFB-36-3B-12	Special 36" crossbrace 3-step ladder w/ 12" extended length

#### Notes:

\* Key to order: X=Width dimension: 24 for 24" ladder, 30 for 30" ladder, or 36 for 36" ladder.

Example LF-24-2A for 24" 2 step ladder

- Safety Step Kits: Add T to the end of the part number.
- Frames extend 5½" from the pool wall. Frame is secured to the pool deck with two anchor sockets on 20" centers. The lower end of the frame is bent to meet the pool wall and fitted with two white rubber bumpers (WRB-100A).